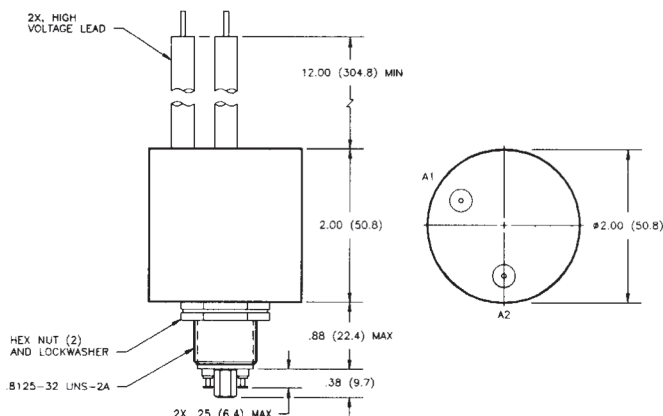
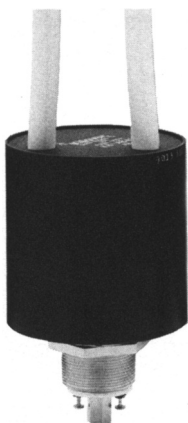


K62 Series Make & Break Load Switching — 25 kV Relays

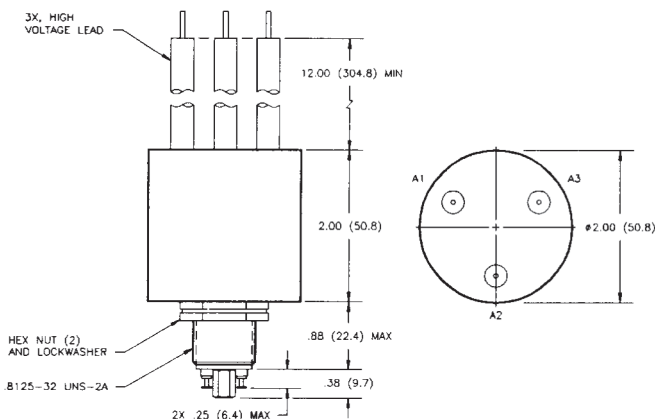
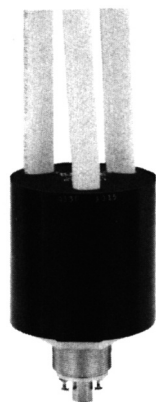
K62A and K62B Product Facts

- 25 kV relay with flying leads for ease of installation
- Vacuum dielectric and tungsten contacts for power switching low current loads
- Meets requirements of MIL-R-83725



K62C Product Facts

- SPDT version of K62
- Vacuum dielectric for power switching low current loads
- Carries 18 Amps continuous current
- Meets requirements of MIL-R-83725



Product Specifications for K62A, K62B and K62C

Contact Arrangement —

K62A — SPST-NO
K62B — STST-NC
K62C — SPDT

Contact Form —

K62A — A
K62B — B
K62C — C

Test Voltage, DC or 60 Hz (Peak) — 30 kV

Rated Operating Voltage (Peak) — DC or 60 Hz — 25 kV

Continuous Carry Current, Max. —

DC or 60 Hz — 18 A
Coil Hi-Pot (Vrms, 60 Hz) — 500 A

Contact Resistance, Max. — 0.50 ohm

Operate Time, Max. — 15 ms

Release Time, Max. — 15 ms

For factory-direct application assistance, dial 800-253-4560, ext. 2055, or 805-220-2055.

Shock, 11ms, 1/2 Sine (Peak) — 20 g

Vibration — Peak — 10 g (55 to 500 Hz)

Operating Ambient Temperature Range — -55°C to +85°C

Mechanical Life — 1 million cycles

Weight, Nominal — 340 g (12 oz.)

Coil Data

Volts, Nominal DC	12 V	26.5 V	115 V
Pickup, Max.	9 Vdc	18 Vdc	90 Vdc
Dropout	.5-5 Vdc	1-10 Vdc	5-55 Vdc
Coil Resistance (±10%)	30 Ω	125 Ω	2400 Ω

Ratings listed are for 25°C, sea level conditions

Ordering Information

Sample Part Number ▶ **K62 A 7 4 1**

Series: _____

Contact Form: _____
A = SPST-NO B = SPST-NC C = SPDT

Coil Voltage: _____
7 = 12 Vdc, Turret Terminal
8 = 26.5 Vdc, Turret Terminal
9 = 115 Vdc, Turret Terminal

High Voltage Connections: _____
4 = Flying Leads, 12"
7 = Flying Leads, 72"
8 = Flying Leads, 36"

Mounting: _____
1 = Threaded